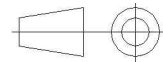
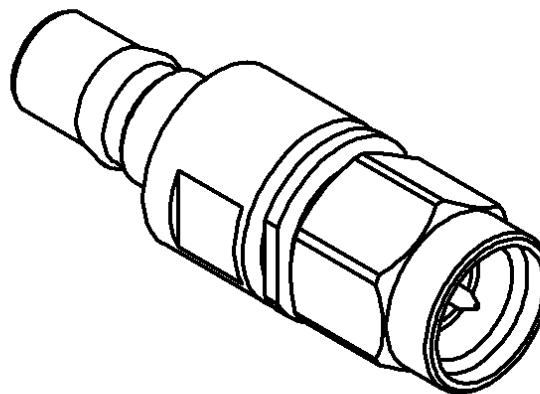
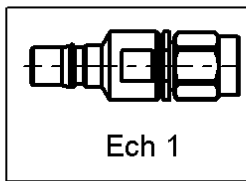
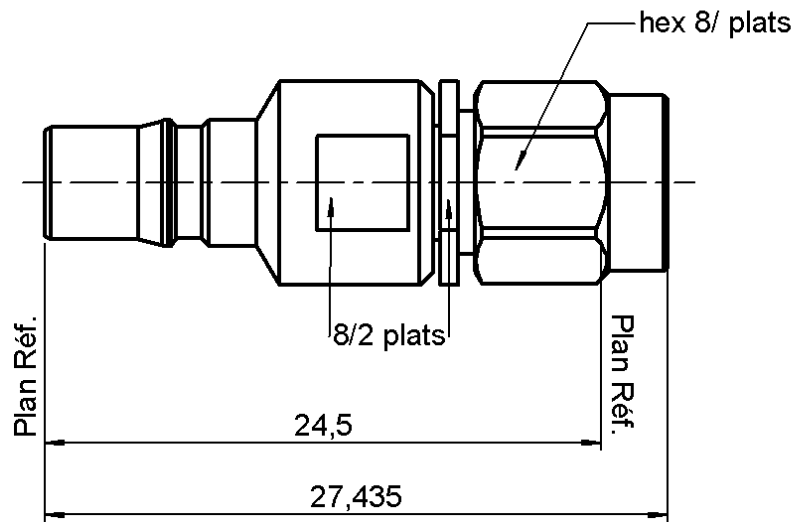


QMA FEMALE - SMA 3.5 MALE STRAIGHT ADAPT

R191.916.700

Série : ADAPT-MES



All dimensions are in mm.

COMPONENTS	MATERIALS	PLATINGS (µm)
BODY	STAINLESS STEEL	PASSIVATED .
CENTER CONTACT	BERYLLIUM COPPER	GOLD 1.3 OVER NICKEL 2
OUTER CONTACT	-	-
INSULATOR	Q200-5	-
GASKET	SILICONE RUBBER	-
OTHERS PARTS	STAINLESS STEEL	PASSIVATED .
-	-	-
-	-	-

Issue : 0427 B

In the effort to improve our products, we reserve the rights to make changes judged to be necessary.



QMA FEMALE - SMA 3.5 MALE STRAIGHT ADAPT

R191.916.700

Série : ADAPT-MES

PACKAGING

SPECIFICATION

Standard	Unit	Other
1	-	Contact us

ELECTRICAL CHARACTERISTICS

ENVIRONMENTAL

Impedance		50 Ω
Frequency		0-20 GHz
VSWR	1.07 +	0.006 x F(GHz) Maxi
Insertion loss		0.05 √F(GHz) dB Maxi
RF leakage	- (NA - F(GHz)) dB Maxi
Voltage rating		250 Veff Maxi
Dielectric withstanding voltage		750 Veff mini
Insulation resistance		5000 MΩ mini

Operating	-40/+80 °C
Hermetic seal	NA Atm.cm3/s
Panel leakage	NA

MECHANICAL CHARACTERISTICS

OTHERS CHARACTERISTICS

Center contact retention		
Axial force – Mating end		27 N mini
Axial force – Opposite end		27 N mini
Torque		NA N.cm mini
Recommended torque		
Mating	QMA	0 N.cm
	SMA3.	120 N.cm
		0 N.cm
Panel nut		N.cm
Mating life		150 Cycles mini
Weight		6.460 g

Issue : 0427 B

In the effort to improve our products, we reserve the rights to make changes judged to be necessary.

